



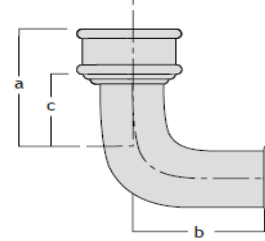
B R A I T H

HERITAGE SUPPLIES

Fittings

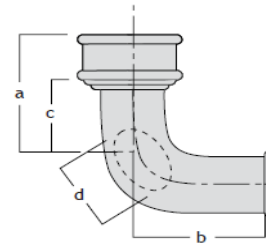
92.5° Bends

Code Ref	L20/B/92	L25/B/92	L30/B/92	L35/B/92	L40/B/92
Pipe Dia mm	50	63	75	87	100
a	152	165	174	187	193
b	139	155	161	177	180
c	88	95	104	111	117



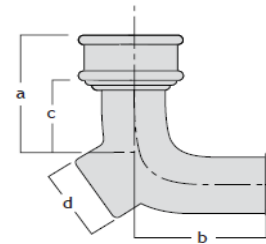
92.5° Bends with left hand/right hand side access

Code Ref	L20/B/92AL	L20/B/92AR	L25/B/92AL	L25/B/92AR	L30/B/92AL	L30/B/92AR	L35/B/92AL	L35/B/92AR	L40/B/92AL	L40/B/92AR
Pipe Dia mm	50	50	63	63	75	75	87	87	100	100
a	152	152	165	165	174	174	187	187	193	193
b	139	139	155	155	161	161	177	177	180	180
c	88	88	95	95	104	104	111	111	117	117
d	63	63	76	76	88	88	95	95	100	100



92.5° Bends with heel access

Code Ref	L20/B/92H	L25/B/92H	L30/B/92H	L35/B/92H	L40/B/92H
Pipe Dia mm	50	63	75	87	100
a	152	165	174	187	193
b	139	155	161	177	180
c	88	95	104	111	117
d	63	76	88	95	100

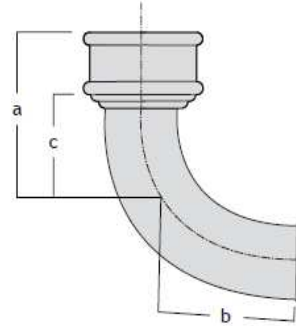


Note

If bends with ears are required, add LE to the order code for left hand side and RE for right hand side bend.

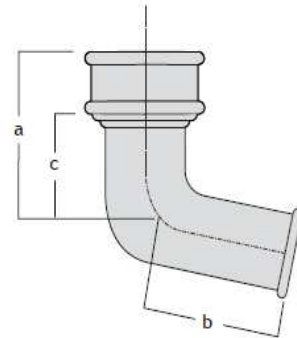
92.5° Long Radius Bends

Code Ref	L30/BLR	L35/BLR	L40/BLR
Pipe Dia mm	75	87	100
a	279	292	298
b	292	298	304
c	209	215	222



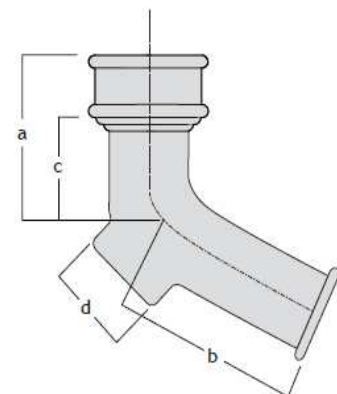
112.5° Bends

Code Ref	L20/B/112	L25/B/112	L30/B/112	L35/B/112	L40/B/112
Pipe Dia mm	50	63	75	87	100
a	152	165	174	184	193
b	139	155	161	177	180
c	88	95	104	111	120



112.5° Bends with heel access

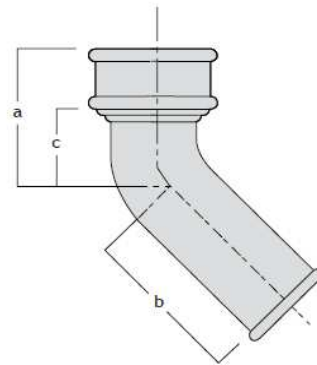
Code Ref	L20/B/112H	L25/B/112H	L30/B/112H	L35/B/112H	L40/B/112H
Pipe Dia mm	50	63	75	87	100
a	152	165	174	184	193
b	139	155	161	177	180
c	88	95	104	111	120
d	63	66	73	95	100



Fittings

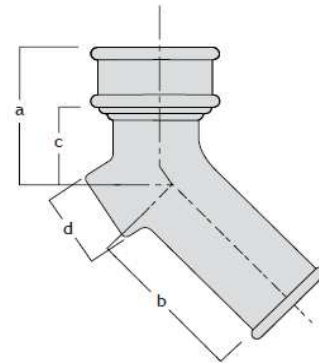
135° Bends

Code Ref	L20/B/135	L25/B/135	L30/B/135	L35/B/135	L40/B/135
Pipe Dia mm	50	63	75	87	100
a	127	136	142	171	177
b	142	158	161	161	165
c	88	95	104	111	120



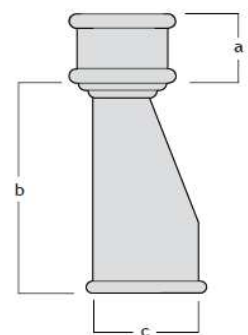
135° Bends with heel access

Code Ref	L20/B/135H	L25/B/135H	L30/B/135H	L35/B/135H	L40/B/135H
Pipe Dia mm	50	63	75	87	100
a	127	136	142	171	177
b	142	158	161	161	165
c	88	95	104	111	120
d	63	66	73	95	100



Diminishing Pieces

Code Ref	L25/DIM/20	L30/DIM/20	L30/DIM/25	L35/DIM/20	L35/DIM/25	L35/DIM/30	L40/DIM/20	L40/DIM/25	L40/DIM/30	L40/DIM/35
Pipe Dia mm	63	75	75	87	87	87	100	100	100	100
a	69	69	69	76	76	76	76	76	76	76
b	304	304	304	304	304	304	304	304	304	304
c	50	50	63	50	63	75	50	63	75	87



Note

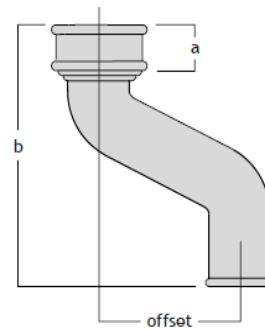
If bends with ears are required, add LE to the order code for left hand side and RE for right hand side bend.

112.5° Swan Necks

Code Ref	L20/OF/03	L20/OF/04	L20/OF/06	L20/OF/09	L20/OF/12	L20/OF/15	L20/OF/18	L20/OF/21	L20/OF/24	L25/OF/03	L25/OF/04	L25/OF/06	L25/OF/09	L25/OF/12	L25/OF/15	L25/OF/18	L25/OF/21	L25/OF/24
Pipe Dia mm	50	50	50	50	50	50	50	50	50	63	63	63	63	63	63	63	63	63
a	63	63	63	63	63	63	63	63	63	69	69	69	69	69	69	69	69	69
b	241	257	273	304	336	361	400	431	463	257	273	288	320	352	384	415	447	479
Offset	75	112	150	237	300	375	475	554	600	75	112	150	237	300	375	475	554	600

Code Ref	L30/OF/03	L30/OF/04	L30/OF/06	L30/OF/09	L30/OF/12	L30/OF/15	L30/OF/18	L30/OF/21	L30/OF/24	L35/OF/03	L35/OF/04	L35/OF/06	L35/OF/09	L35/OF/12	L35/OF/15	L35/OF/18	L35/OF/21	L35/OF/24
Pipe Dia mm	75	75	75	75	75	75	75	75	75	87	87	87	87	87	87	87	87	87
a	69	69	69	69	69	69	69	69	69	76	76	76	76	76	76	76	76	76
b	266	282	298	330	361	393	425	457	488	282	298	314	346	377	409	441	473	504
Offset	75	112	150	237	300	375	475	554	600	75	112	150	237	300	375	475	554	600

Code Ref	L40/OF/03	L40/OF/04	L40/OF/06	L40/OF/09	L40/OF/12	L40/OF/15	L40/OF/18	L40/OF/21	L40/OF/24
Pipe Dia mm	100	100	100	100	100	100	100	100	100
a	76	76	76	76	76	76	76	76	76
b	288	307	323	355	387	419	450	482	514
Offset	75	112	150	237	300	375	475	554	600



Note

If swan necks with ears are required, add LE to the order code for left hand side and RE for right hand side bend.